

# SC616C

## Micro Type Load Cell



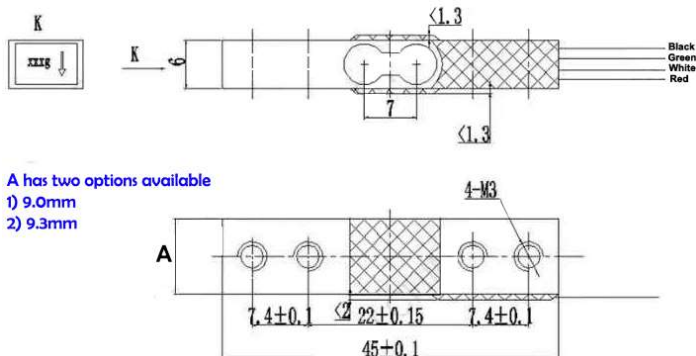
Application: electronic scale, kitchen scale, smart coffee machine, smart bottle, or other small force test

### Specification:

Capacity	500g
Comprehensive Error	0.05 % F.S
Accuracy	0.05%F.S
Output sensitivity	300g: 0.7±0.15MV/V, 500g-750g: 0.8±0.15 MV/V, 1kg-5kg: 1.0±0.15 MV/V
Non-linearity	0.05 %F.S.
Repeatability	0.05 %F.S.
Hysteresis	0.05 %F.S.
Creep	0.1%F·S/3min
Zero Output	± 0.1 m V/V
Temp. Effect on Zero	0.2 %F.S/10°C
Temp. Effect on Span	0.05 %F.S 10°C
Input Resistance	1000 ± 10 Ω
Output Resistance	1000 ± 10 Ω
Insulation Resistance	≥ 2000 MΩ
Excitation Voltage	3~10VDC
Operating Temp.	-10~+40°C
Safe overload	120% F.S
Ultimate Overload	150% F.S
Cable length	Φ0.6 x 110 mm
Four corner error	±0.1%F.S
Material	Aluminum alloy
Connecting cable	Φ0.8x200mm
Unit weight	7g/unit
Package	1000 units/ carton



Size : 45x9.3/9.0x6 mm



Note:

A=9.3 (old)

A=9.0 (new)

### Wiring:

